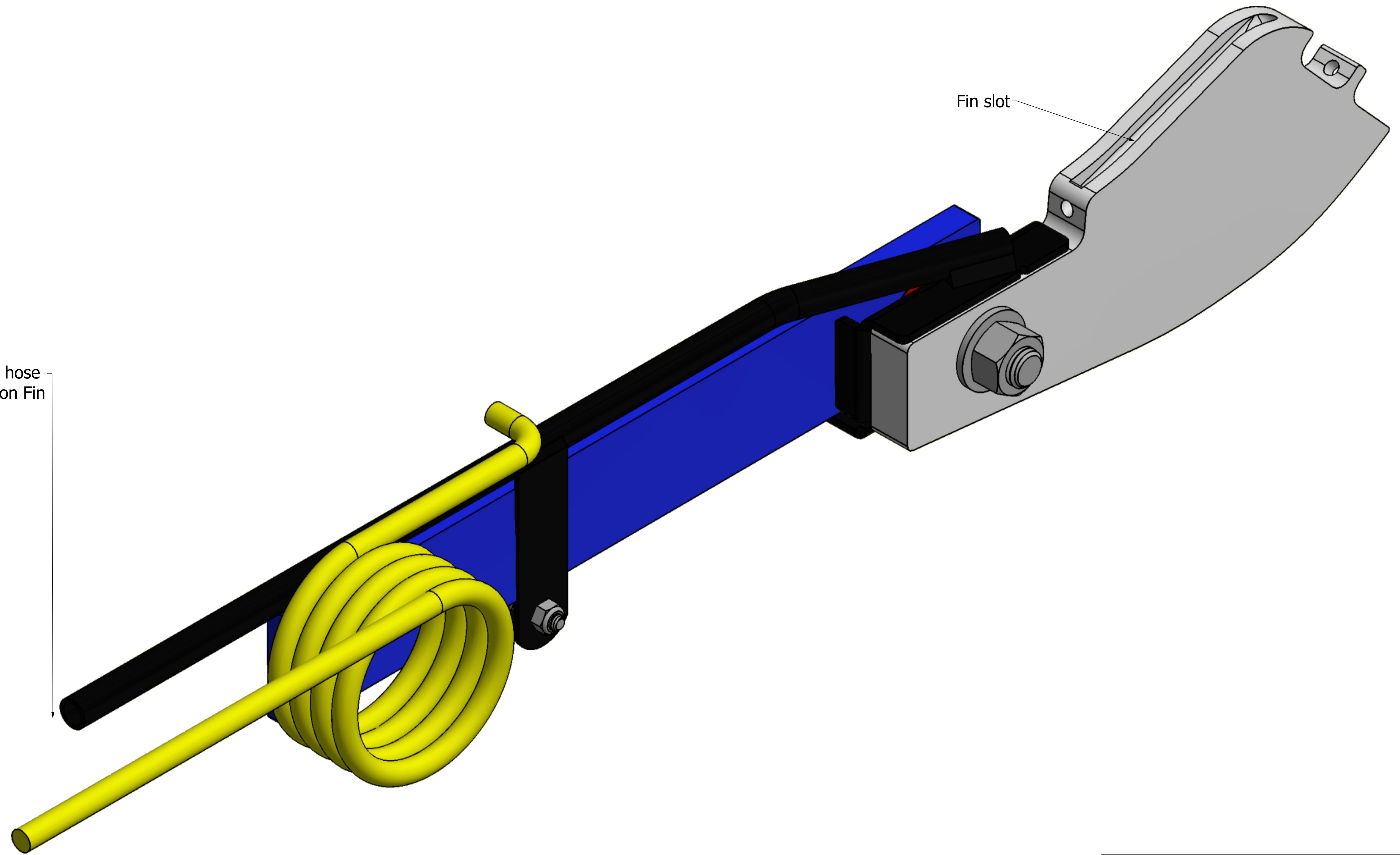


VIEW1
SCALE 3/2.5

DRAWN Lucas Kleinsasser	2/1/2018	TB Mfg		
CHECKED		TITLE		
QA		JD60/90 Fertilizer Attachment		
MFG				
APPROVED		SIZE D	DWG NO	REV
		SCALE 3/2.5		SHEET 1 OF 4



Fin slot

Route plastic fertilizer hose through tube holes and slot on Fin

DRAWN Lucas Kleinsasser	2/1/2018	TB Mfg		
CHECKED		TITLE		
QA		JD60/90 Fertilizer Attachment		
MFG				
APPROVED		SIZE D	DWG NO	REV
		SCALE 4/3		SHEET 2 OF 4

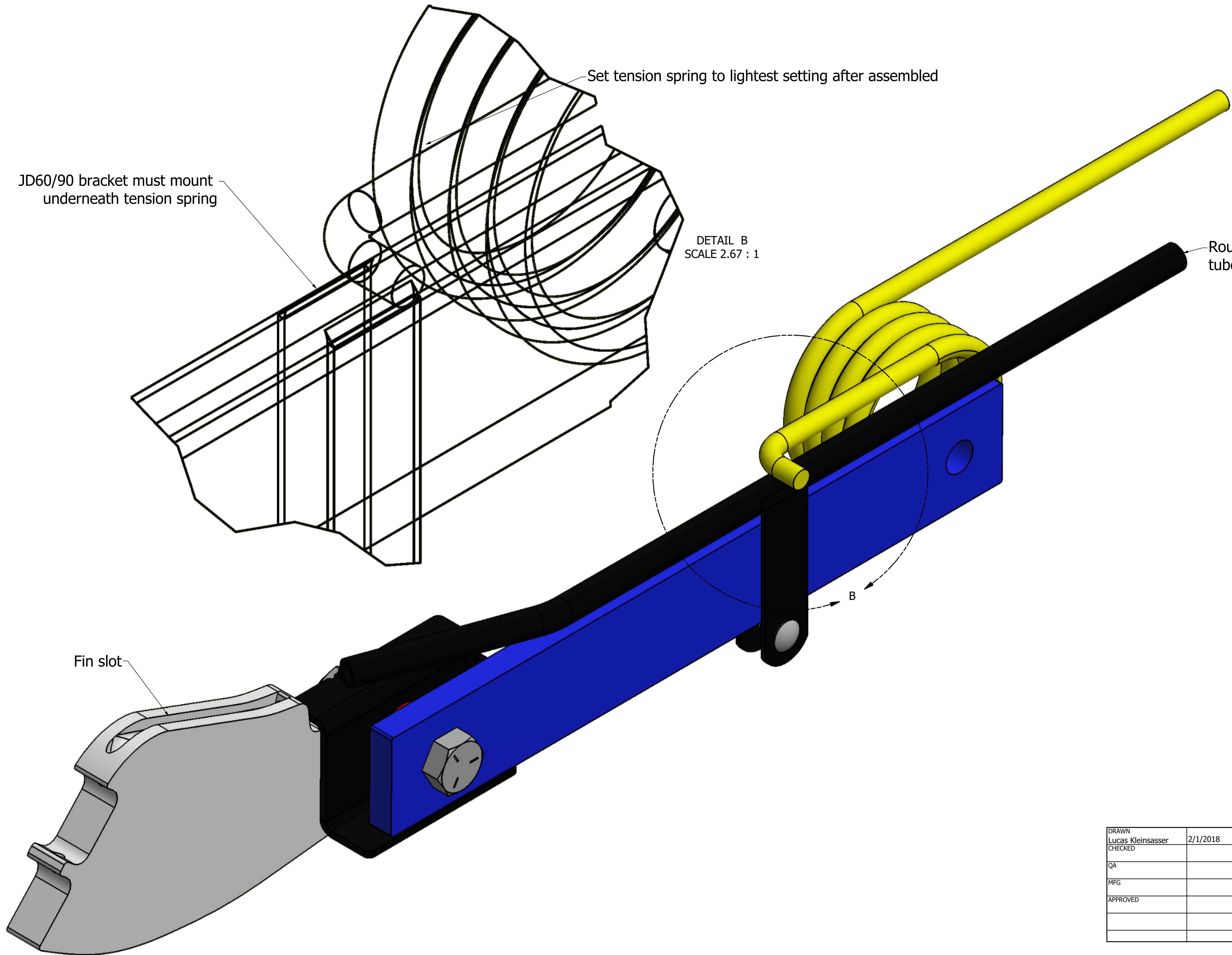
Set tension spring to lightest setting after assembled

JD60/90 bracket must mount underneath tension spring

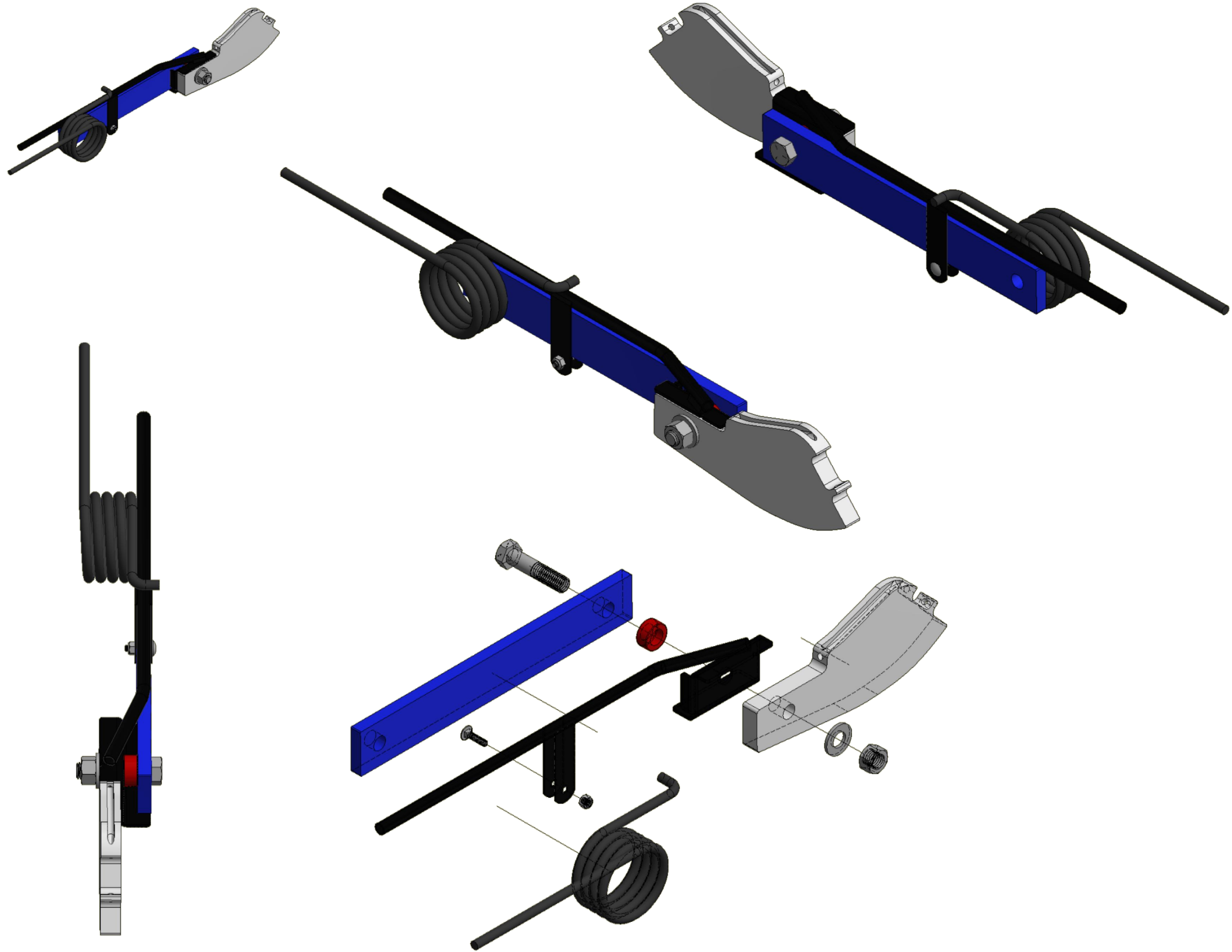
DETAIL B
SCALE 2.67 : 1

Route plastic fertilizer hose through tube holes and slot on Fin

Fin slot



DRAWN Lucas Kleinsasser	2/1/2018	TB Mfg		
CHECKED		TITLE		
QA		JD60/90 Fertilizer Attachment		
MFG		SIZE D	DWG NO	REV
APPROVED		SCALE 4/3	SHEET 3 OF 4	



PARTS LIST			
ITEM	QTY	PART NUMBE	DESCRIPTION
1	1	Fertilizer braket Tube	
2	1	JD69 Skid mount	
3	1	tabs	
4	1	Tabs	
5	1	JD69 bushing	
6	1	JD69 Existing Arm	
7	1	JD 69 plastic fin	
8	1	GALVANIZED STEEL FLAT WASHER	STEP AP203
9	1	STEEL HEX NUT 5/8"-11 thread	STEP AP203
10	1	5/8"-11 thread size 2-3/4"long bolt	STEP AP203
11	1	Existing spring	
12	1	1/4"-20 thread CARRIAGE BOLT	STEP AP203
13	1	1/4"-20 thread LOCKNUT	STEP AP203

DRAWN Lucas Kleinsasser	2/1/2018	TB Mfg		
CHECKED		TITLE		
QA		JD60/90 Fertilizer Attachment		
MFG				
APPROVED		SIZE D	DWG NO	REV
		SCALE 1 / 4		SHEET 4 OF 4